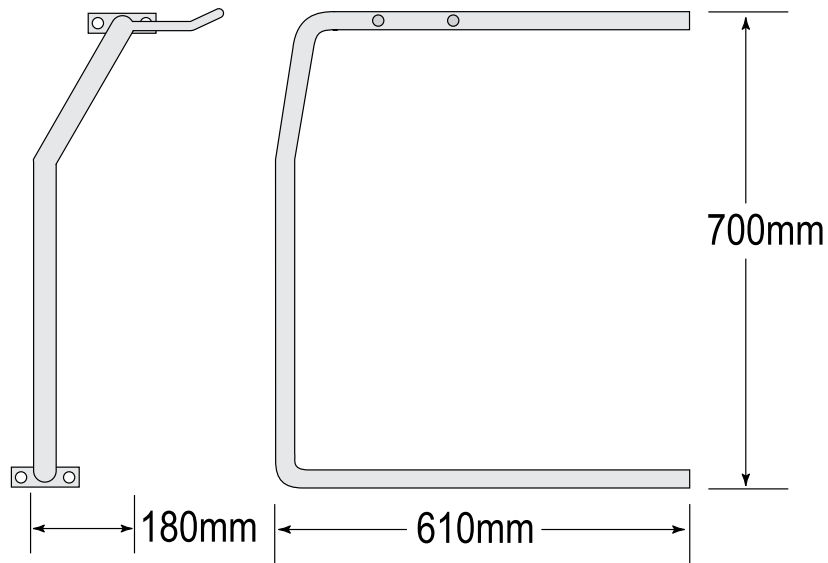


• bicycle parking for public spaces •



Wall Mount Hanging Rack Specifications

Width:	180mm
Height:	700mm
Depth:	610mm
Material:	Galvanised mild steel
Fixings:	4 x M10 coach bolts and plugs
Weight:	3.5kgs
Options:	Powdercoating
Capacity:	1 Bicycle



Model No. BKRWALL01