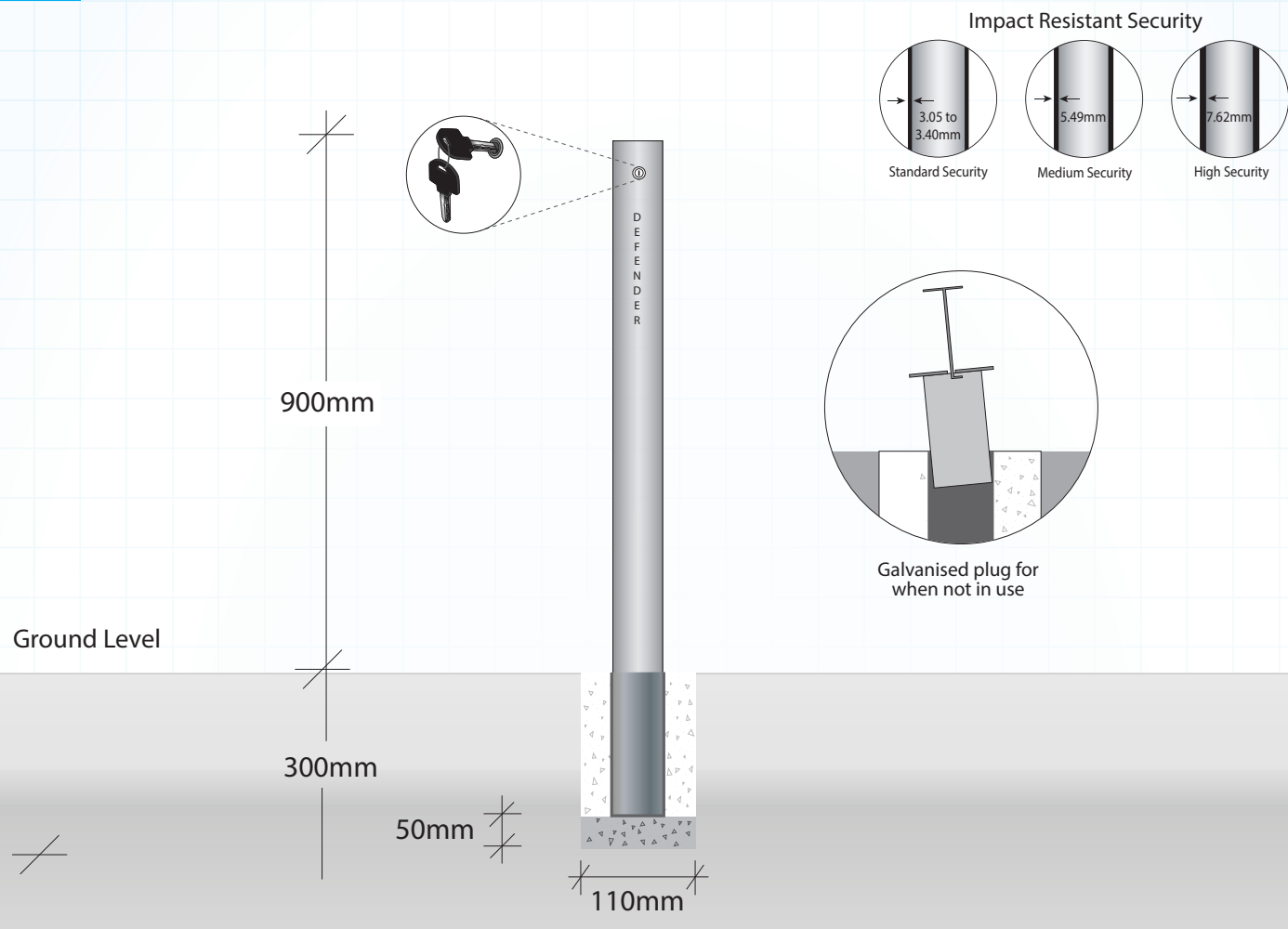


DEFENDER BOLLARD

SS90/SH



90mmØ Stainless Steel Keyed Removable

Code	Style	Height	Diameter	Wall Th.	In-Ground Depth
SS90A/SH	In-Ground	900mm	88.9mm	3.05mm	300mm
SS90B/SH	In-Ground	900mm	88.9mm	5.49mm	300mm
SS90C/SH	In-Ground	900mm	88.9mm	7.62mm	300mm

- Available in two standard sizes, 90mm or 140mm diameter
- High security, bi-lock locking mechanism
- Stem manufactured from 304 grade stainless steel as standard
- 316 grade stainless steel recommended for marine environments
- Galvanised steel plug to cover inground cavity when bollard is not in use
- Finished with a grade 4 finished finish
- Recommended core cutting size 110mm minimum

1300 76 44 77

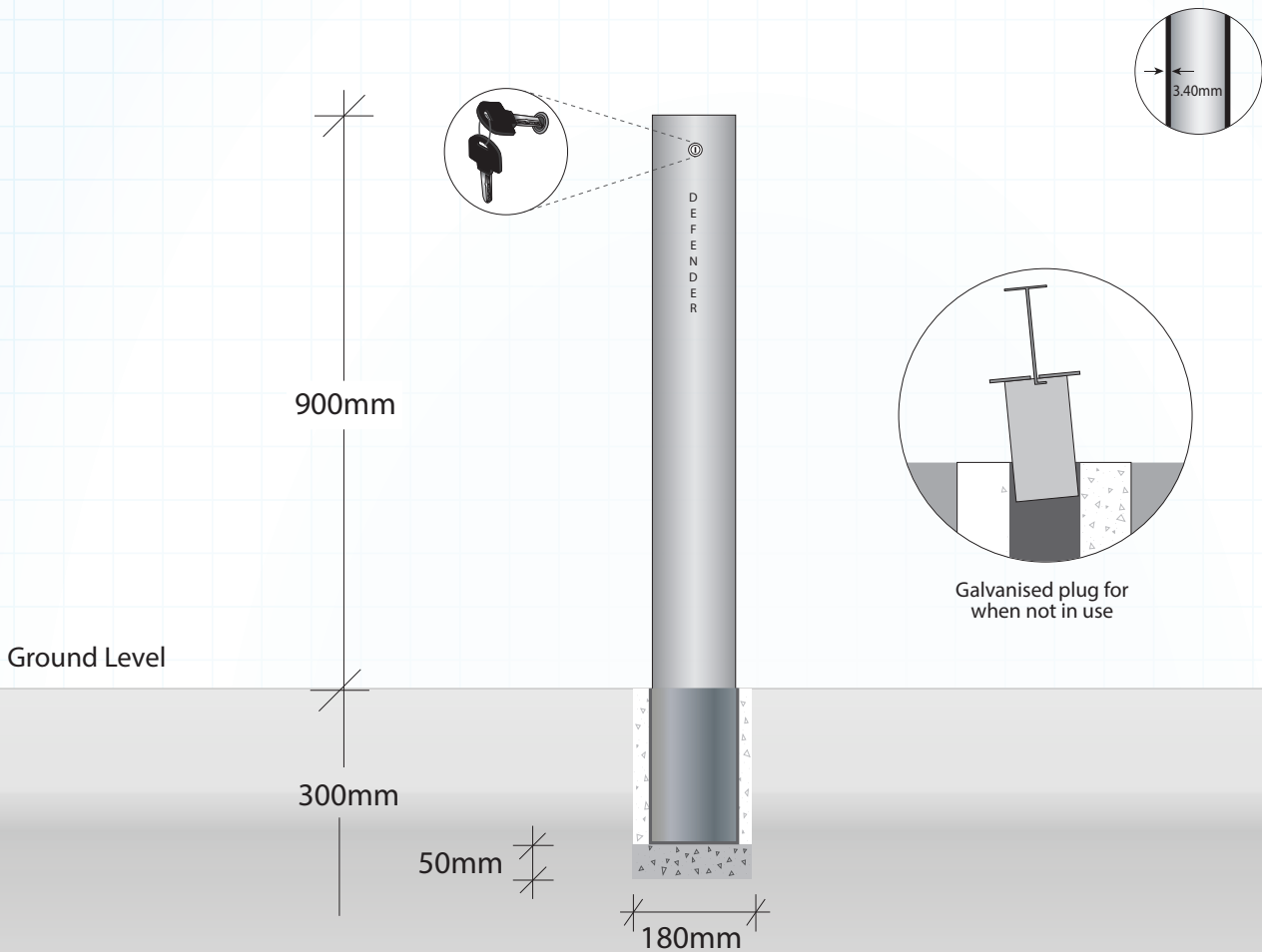
www.pws.com.au email: sales@pws.com.au

• Installation service available in Sydney, Melbourne, Brisbane and Perth

DEFENDER BOLLARD

SS140/SH

Impact Resistant Security



140mmØ Stainless Steel Keyed Removable

Code	Style	Height	Diameter	Wall Th.	In-Ground Depth
SS140A/SH	In-Ground	900mm	140mm	3.40mm	300mm

- Available in two standard sizes, 90mm or 140mm diameter
- High security, bi-lock locking mechanism
- Stem manufactured from 304 grade stainless steel as standard
- 316 grade stainless steel recommended for marine environments
- Galvanised steel plug to cover inground cavity when bollard is not in use
- Finished with a grade 4 finished finish
- Recommended core cutting size 180mm minimum

1300 76 44 77

www.pws.com.au email: sales@pws.com.au

• Installation service available in Sydney, Melbourne, Brisbane and Perth